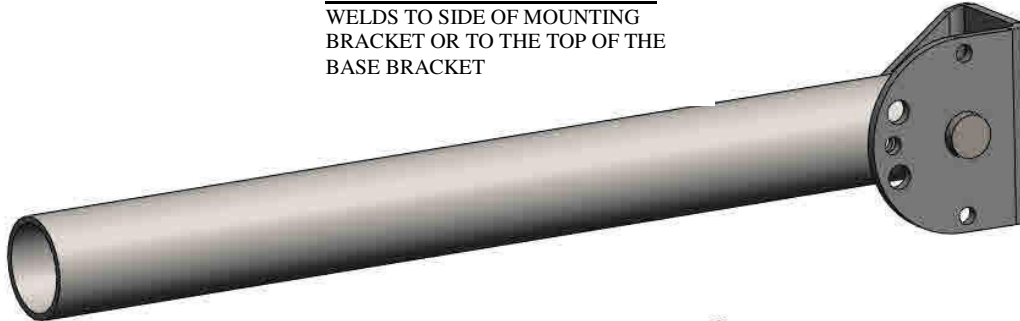


# BODY PROP KIT – 1323169

## PIVOT LEG ASSEMBLY

WELDS TO SIDE OF MOUNTING BRACKET OR TO THE TOP OF THE BASE BRACKET



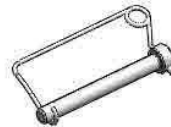
## PIPE BULLET

WELDS TO BOTTOM OF FLOOR OR TOP OF BASE BRACKET



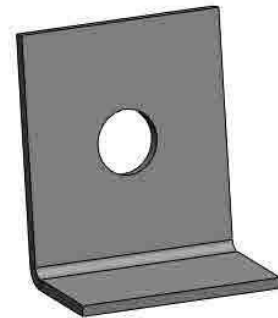
## LANYARD

USED TO ATTACH PIN TO PIVOT LEG BRACKET



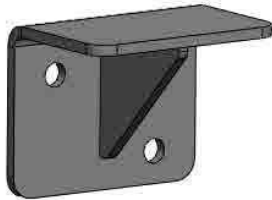
## SNAP LOCK PIN

USED TO LOCK PROP IN STOWED POSITION



## MOUNTING BRACKET

REQUIRED ON WESTERN STYLE LONGSILLS AND INTERLOCKING WHERE PROP SWINGS DOWN

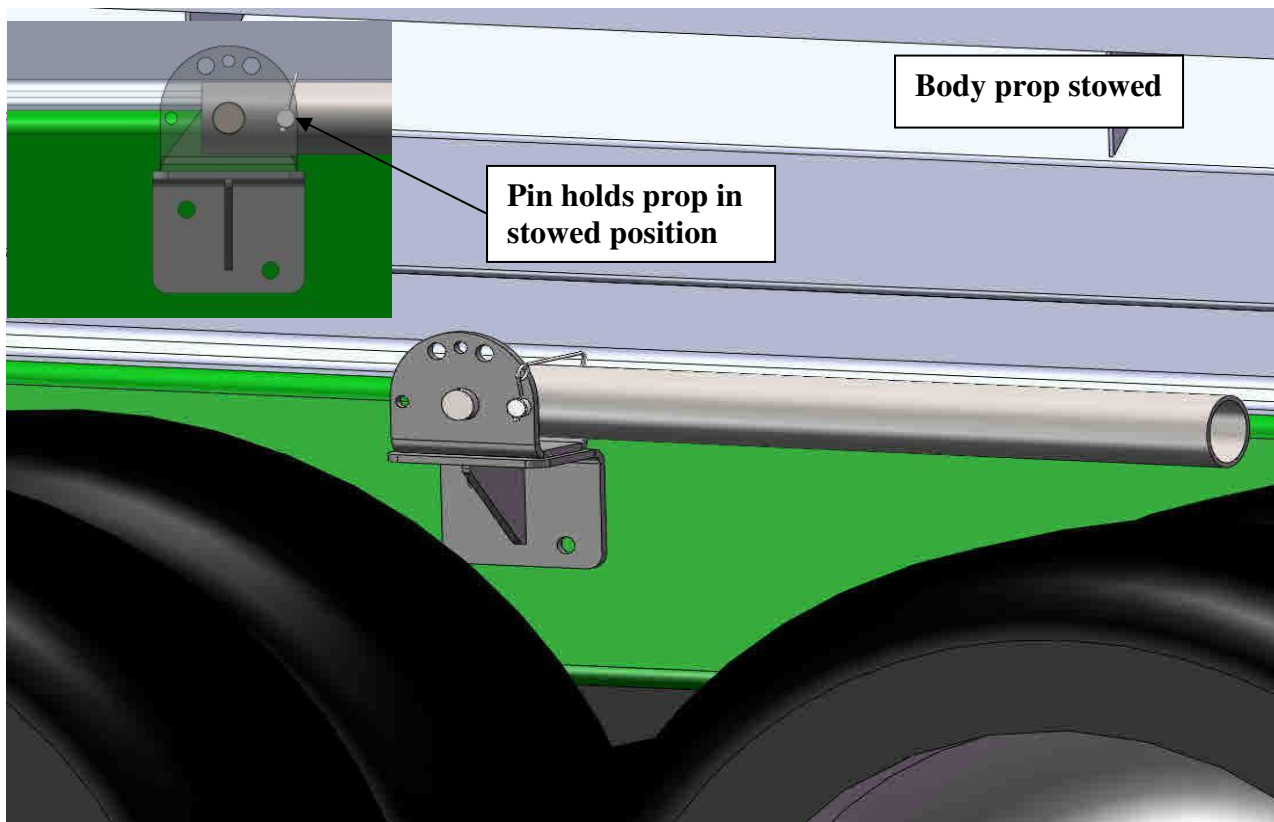
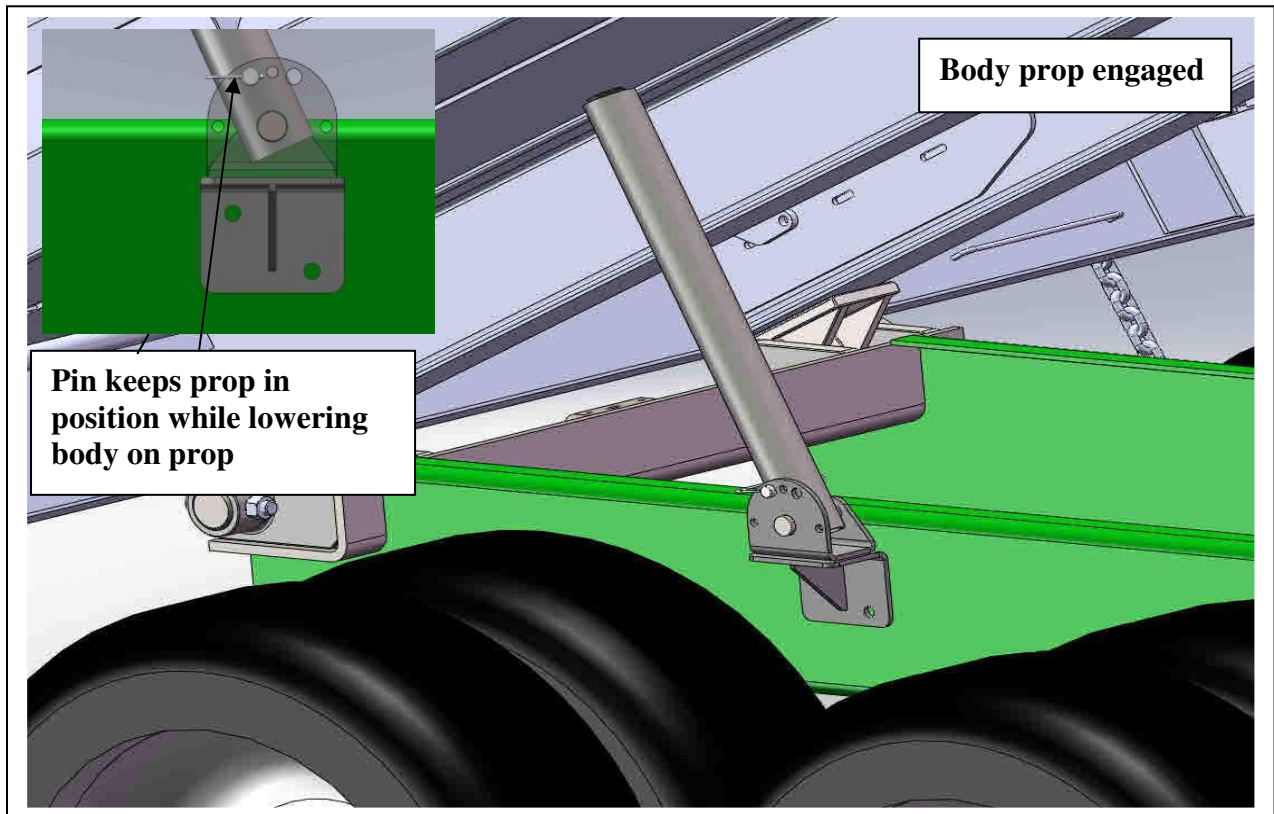


## BASE BRACKET

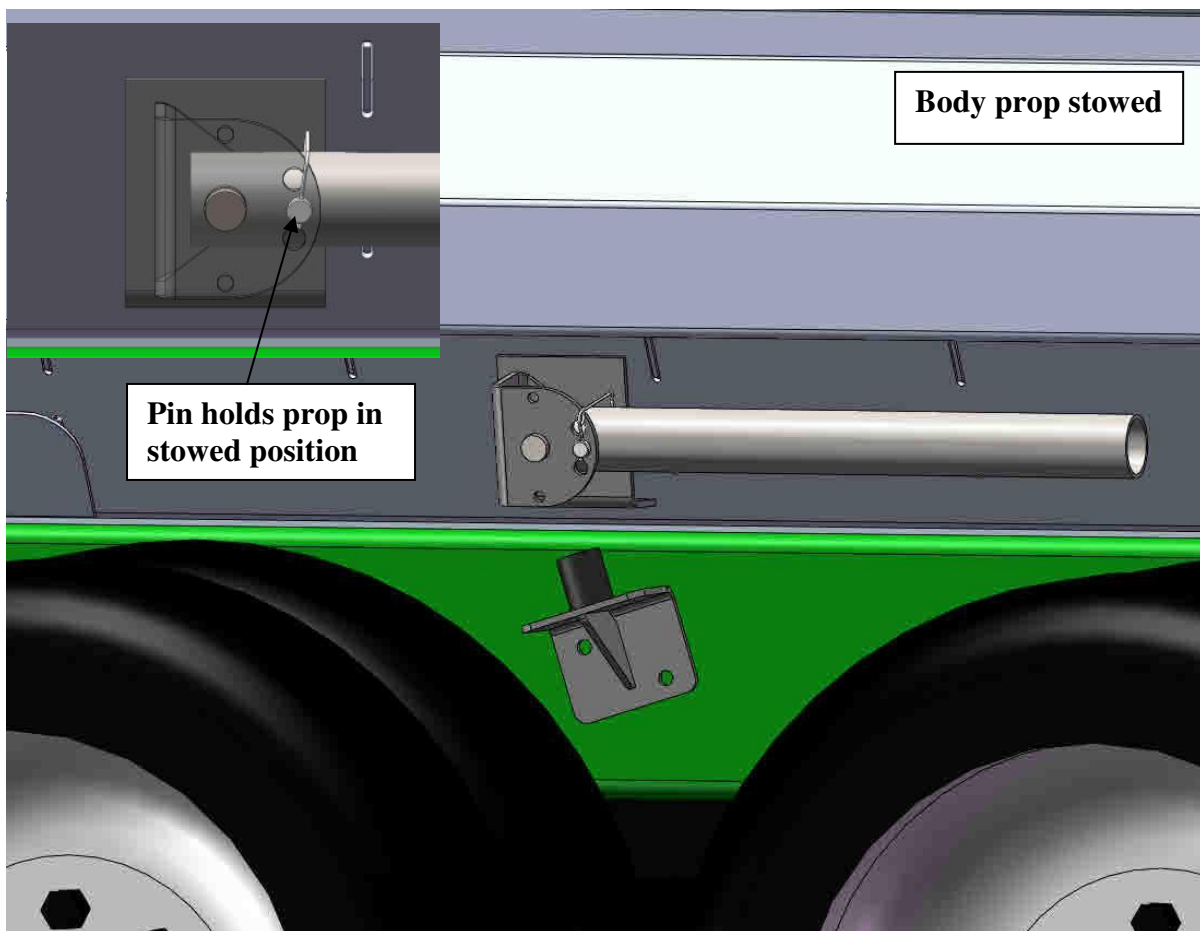
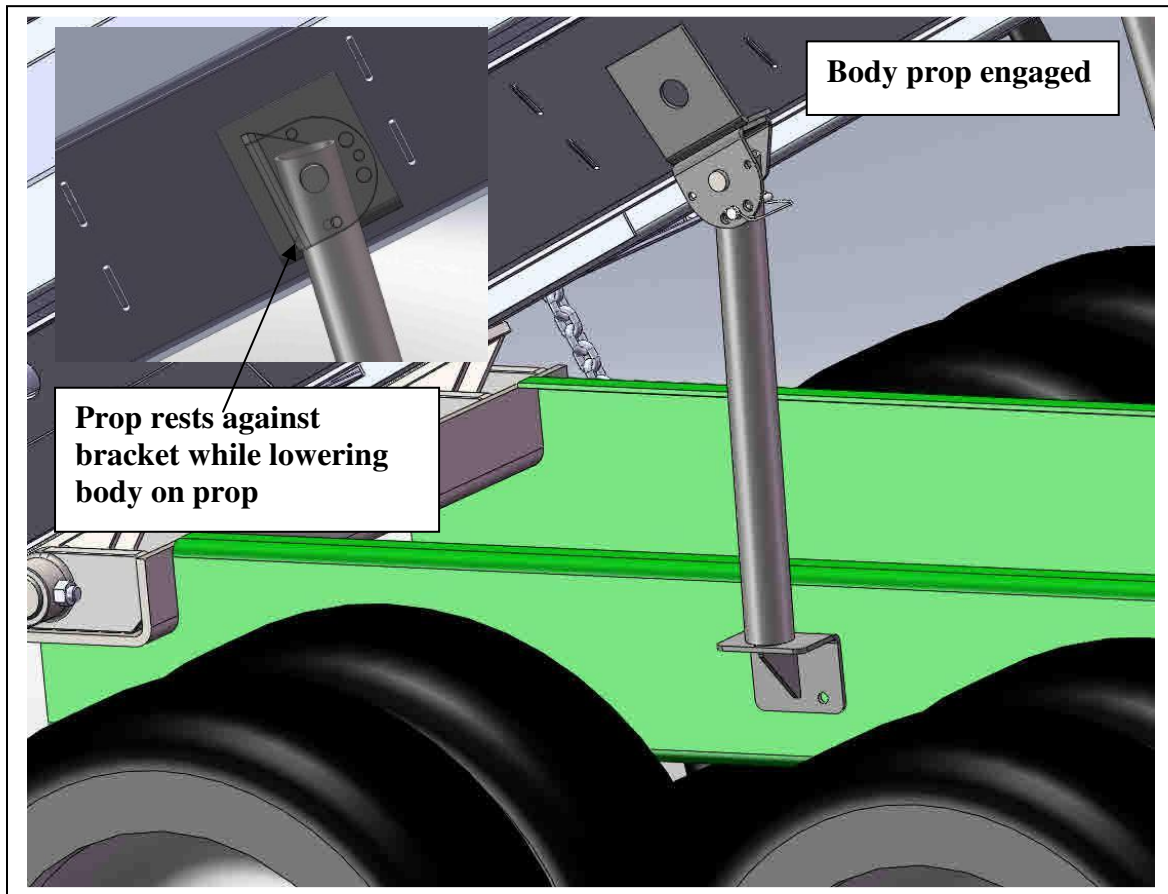
BOLTS TO TRUCK FRAME

In our efforts to continually enhance DuraClass' products and services we have made a change to the body props for dump bodies that incorporate our telescopic hoists. With the various understructures being produced at DuraClass we had multiple body prop designs that caused us and your shop extra handling and inefficiencies. DuraClass' new singular body prop design will now work with any of our body designs.

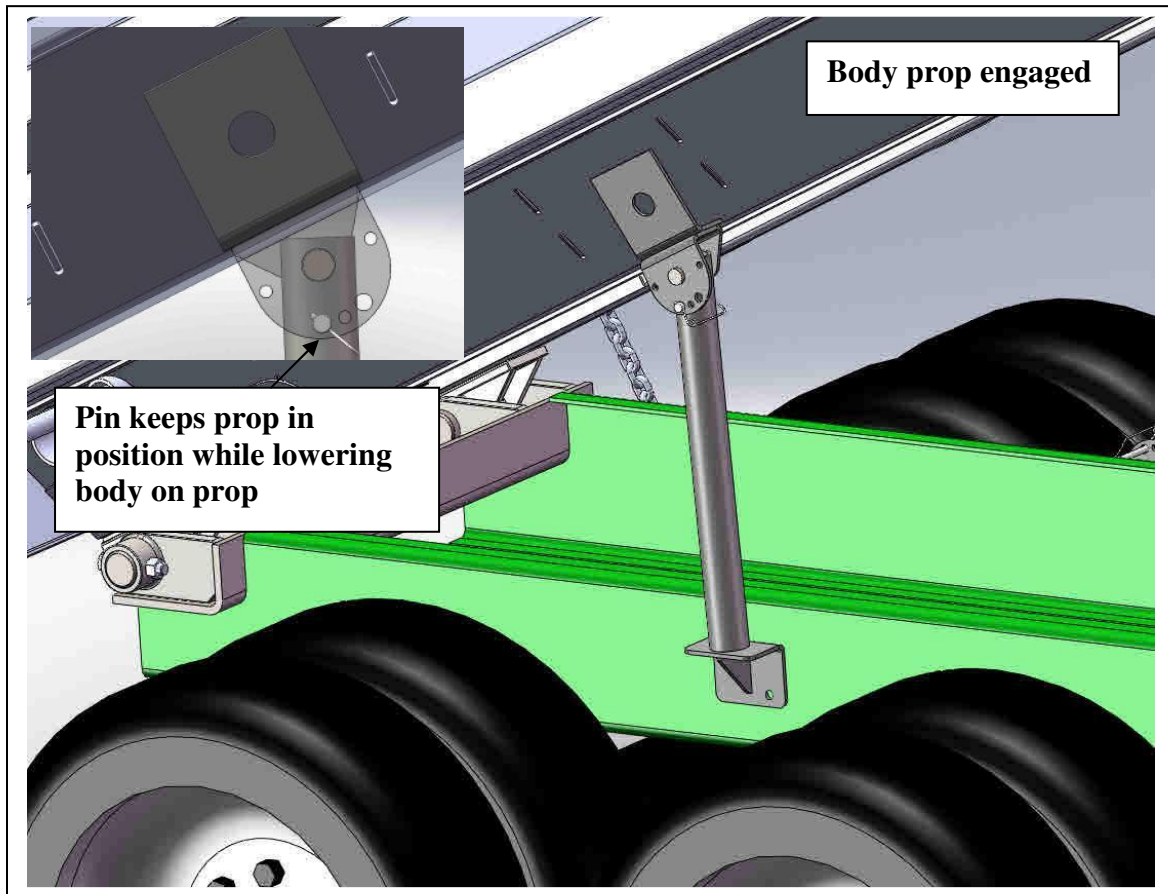
# I-beam understructure



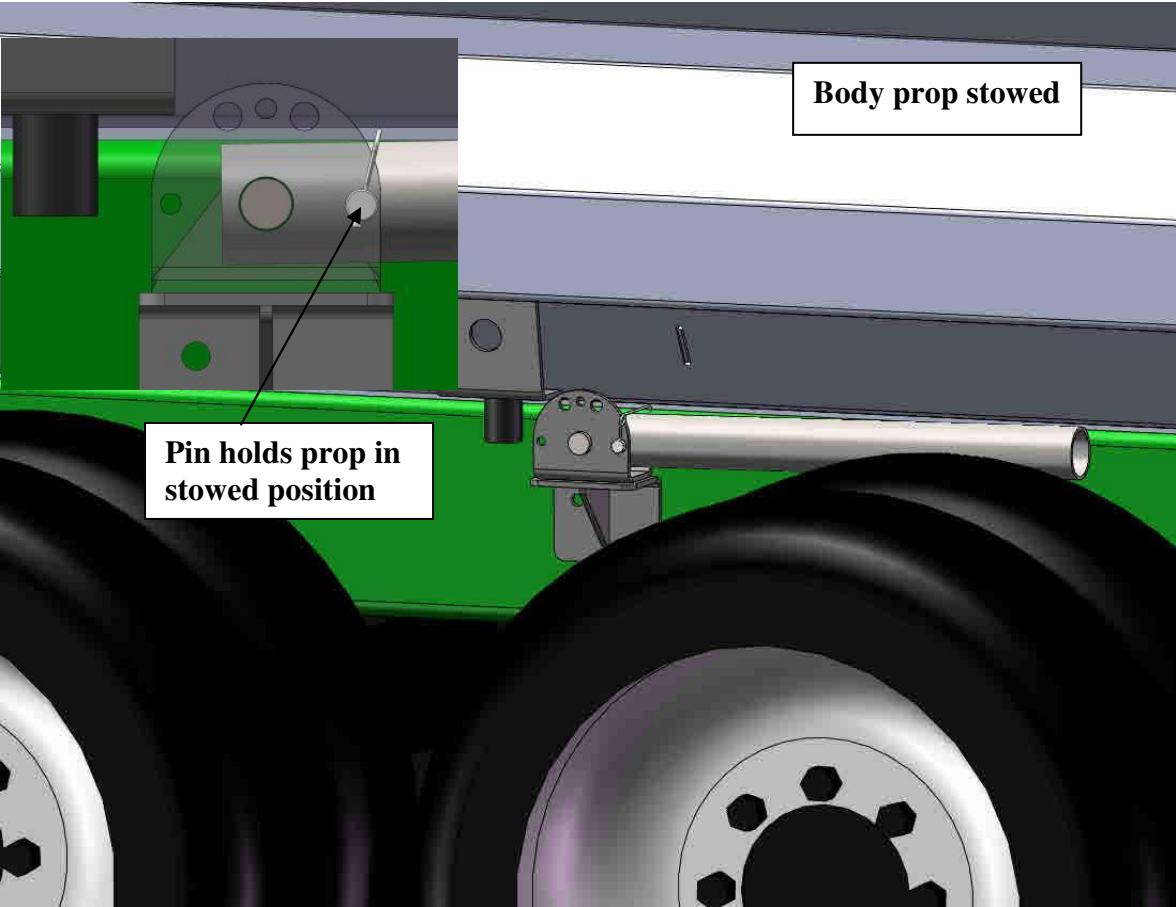
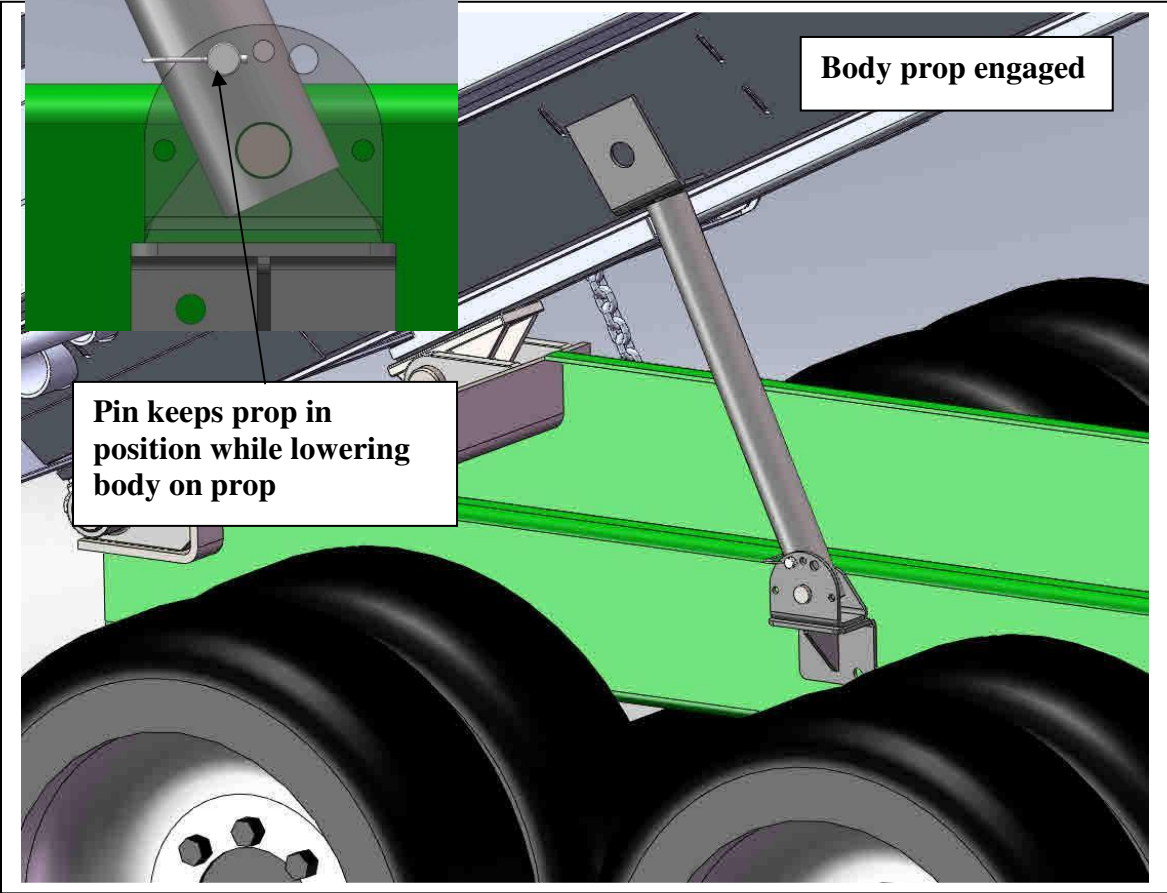
# Western tubular understructure (option 1)



# Western tubular understructure (option 2)



# Western tubular understructure (option 3)



# Interlocking understructure

